



- IP65 sealing
- stainless steel carrier
- 3-axis joystick

DUAL FUNCTION IP65 JOYSTICK

This dual function joystick unit provides a combined functionality into one single device. One modus enables the user to use the unit as a mouse pointer, the second modus will provide the user with a 3-axis joystick function. Switching between the two functions is done by pressing the pushbutton that sits on top of the joystick.

This 3-axis joystick unit has a robust, vandalproof construction and metal look : the carrier plate made of brushed stainless steel and two anti-vandal stainless steel IP65 sealed switches. Highly ruggedized and designed for harsh industrial applications, navigation controls, etc... The speed of the cursor movement can be adapted (OEM only). No special drivers required

GENERAL TECHNICAL SPECIFICATIONS

Sealing	: IP65
Carrier plate	: brushed stainless steel
Dimensions	: 100 x 116 mm
Weight	: 0,5 kg
Output	: USB
Cable	: 1 shielded, straight 1,6 m long
Operating temperature range:	-10°C to +60°C
Storage temperature range	: -25°C to +70°C

Push button switches

Sealing	: IP65
Material	: stainless steel, brushed
Mechanical life	: 1 mil. cycles min
Contacts	: gold plated
Travel	: 1,3mm
Operating force	: 4N typ

CONNECTIVITY

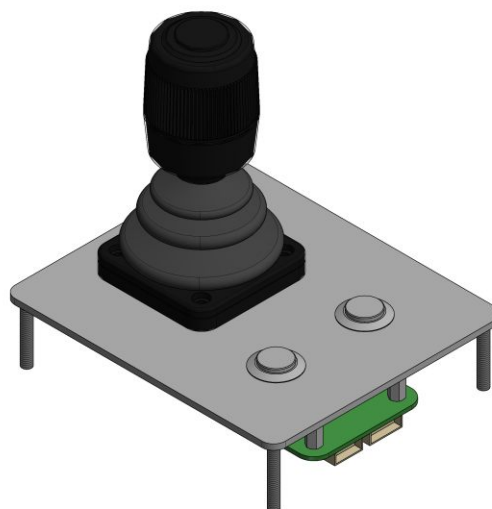
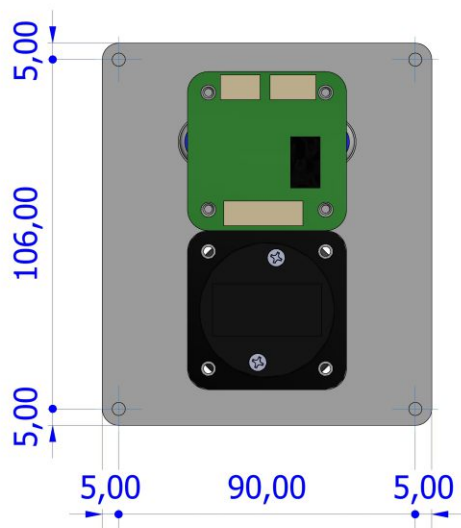
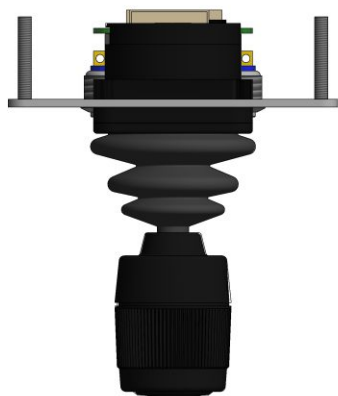
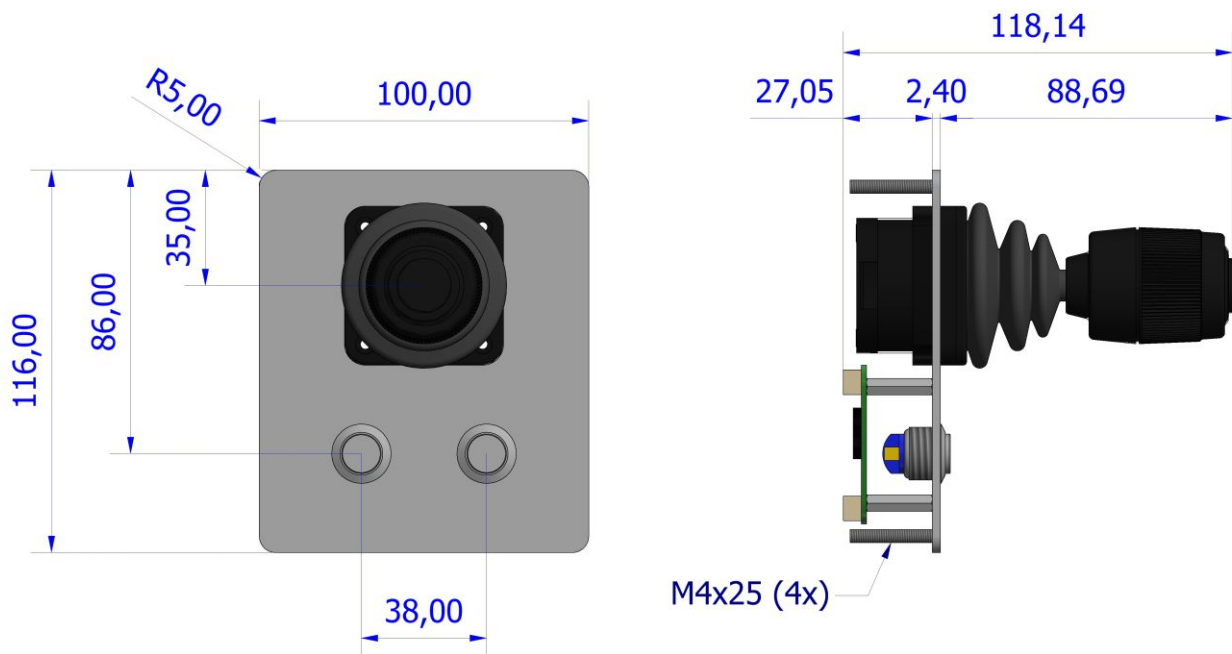
This touchpad unit has a 1,6 meter long shielded straight cable ended by a USB type A plug.

ORDER INFO

Dual function joystick

CST100F2

DIMENSIONAL DRAWING



Dim. in mm